

μPD166019T1F

R07DS0730EJ0100

Rev.1.00

Single P-Channel High-Side Intelligent Power Device

Apr 25, 2012

Description

The μPD166019 device is a P-channel high-side switch with diagnostic feedback and embedded protection functions. Due to the adoption of P-channel output switch this device does not contain a charge pump circuit and switching time is controllable by external resistance to IN pin.

Features

- Low noise by no built-in charge pump
- Low on-state resistance: 13.5 mΩ
- Short circuit protection
 - Shutdown by short-circuit detection
- Over temperature protection
 - Shutdown with auto-restart on cooling
- Loss of GND protection
- Small multi-chip package: JEDEC 5-pin TO-252
- Built-in Diagnostic function
 - Defined fault signal in case of thermal shutdown and/or short circuit shutdown via IN pin.

Ordering Information

Part No.	Lead Plating	Packing	Package
μPD166019T1F-E1-AY *1	Sn	Tape 2500 p/reel	5-pin TO-252 (MP-3ZK)

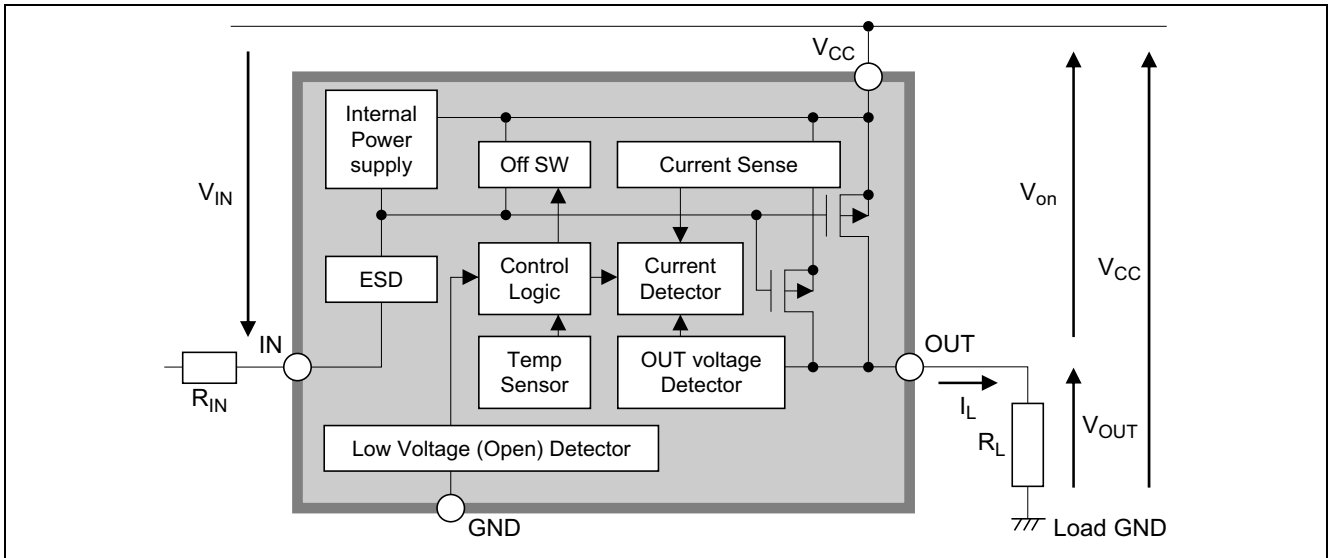
Note: *1 Pb-free (This product does not contain Pb in the external electrode.)

Application

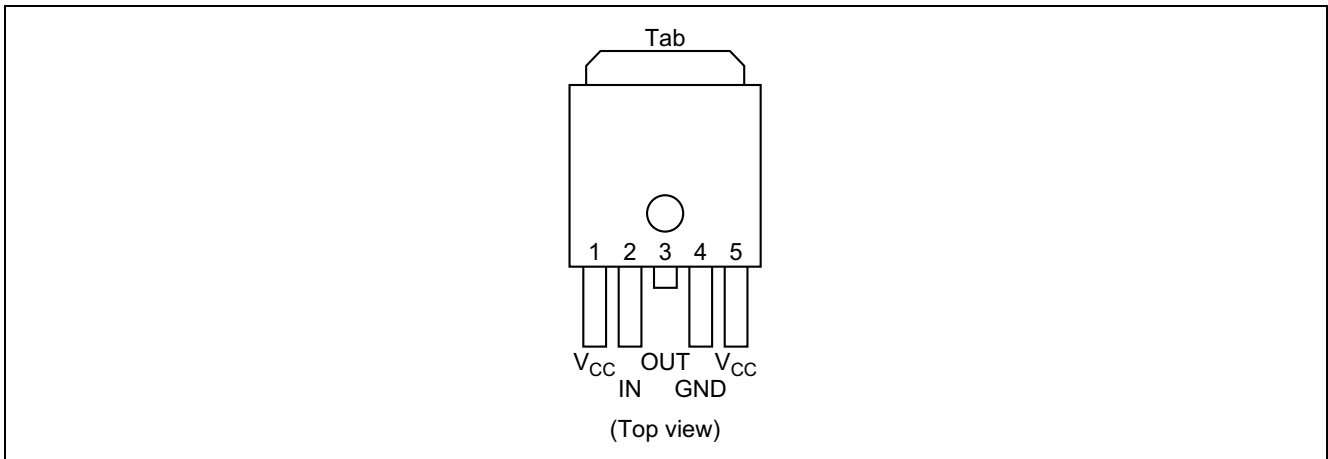
- Light bulb (to 65 W) switching
- Switching of all types of 14 V DC grounded load, such as inductor, resistor and capacitor
- Replacement of fuse and relay

Note: The information contained in this document is the one that was obtained when the document was issued, and may be subject to change.

Block Diagram



Pin Arrangement



Pin Function

Pin No.	Pin Name	Function
1	V _{CC}	Supply voltage: pin1 and 5 must be externally connected
2	IN	Input: activate the power switch by direct drive of output MOSFET
3/Tab	OUT	Output to load: Tab and pin 3 are internally connected
4	GND	Ground pin ^{Note}
5	V _{CC}	Supply voltage: pin1 and 5 must be externally connected

Note: In case of necessity to eliminate the destruction by the soldering bridge to V_{CC}: Pin#5, insert a resistor R_{GND} (recommended 1 kΩ max) between GND pin and system ground. In this condition, current flows out to IN pin. R_{IN} is recommended 2 kΩ min.

$$\text{GND to IN current} = (R_{\text{GND}} \times 1 \text{ mA} - 0.6 \text{ V}) / R_{\text{IN}}$$

Absolute Maximum Ratings

(Ta = 25°C, unless otherwise specified)

Item	Symbol	Rating	Unit	Test Conditions
V _{CC} voltage	V _{CC1}	28	V	
V _{CC} voltage for full short circuit protection	V _{CC2}	18	V	
V _{CC} voltage (Load Dump)	V _{CC3}	40	V	R ₁ = 1 Ω, R _L = 1.5 Ω, t _d = 400 ms, IN = low or high
Load current (short circuit current)	I _{L(SC)}	Self limited	A	
Power Dissipation	P _D	59	W	T _c = 25°C
Avalanche current	I _{AS}	34	A	L = 100 μH
Channel temperature	T _{ch}	-40 to +150	°C	
Storage temperature	T _{stg}	-55 to +150	°C	
Electric discharge capability (Human Body Model)	V _{ESD}	±2.0	kV	AEC-Q100-022 std R = 1.5 kΩ, C = 100 pF
Input voltage	V _{IN}	0 to 28	V	IN pin, V _{IN} ≤ V _{CC} , V _{CC} reference, 1 min
Input current	I _{IN}	-1.0	mA	IN pin

Recommended Operating Conditions

Item	Symbol	MIN.	TYP.	MAX.	Unit	Test Conditions
Power supply voltage	V _{CC}	7	—	16	V	T _{ch} = -40 to 150°C

Thermal Characteristics

Item	Symbol	MIN.	TYP.	MAX.	Unit	Test Conditions
Thermal resistance	R _{th(ch-a)}	—	45	55	°C/W	Device on 50 mm × 50 mm × 1.5 mm epoxy PCB FR4 with 6 cm ² of 70 μm copper area

Electrical Characteristics

(V_{CC} = 12 V, T_{ch} = 25°C, unless otherwise specified)

Item	Symbol	MIN.	TYP.	MAX.	Unit	Test Conditions
Low level input current	I _{IL}	—	—	20	μA	V _{IN} = 12 V, T _{ch} = -40 to 150°C
Input voltage for turn-on	V _{INon}	4.5	—	—	V	V _{ON} = 0.16 V, I _L = 7.5 A, V _{CC} reference
Input voltage for turn-off	V _{INoff}	—	—	1.5	V	I _L ≤ 1 mA, V _{CC} reference
Standby Current	I _{GNDoff}	—	—	1.0	μA	T _{ch} = 25°C
		—	—	1.0	μA	T _{ch} = -40 to 150°C
Output leakage current	I _{OUToff}	—	—	1.0	μA	T _{ch} = 25°C
		—	—	15	μA	T _{ch} = -40 to 150°C
Circuit current	I _{GNDon}	—	—	1.0	mA	T _{ch} = 25°C
		—	—	1.5	mA	T _{ch} = -40 to 150°C
On state resistance	R _{ON}	—	10.5	13.5	mΩ	T _{ch} = 25°C
		—	17.5	23.0	mΩ	T _{ch} = 150°C
On state resistance	R _{ON2}	—	13.5	21.0	mΩ	T _{ch} = 25°C
		—	23.0	35.0	mΩ	T _{ch} = 150°C
Turn on delay time	t _{don}	—	2.2	10	μs	R _L = 2.2 Ω, R _{IN} = 0 Ω, T _{ch} = -40 to 150°C
Turn off delay time	t _{doff}	—	11.3	50	μs	
Rise time	t _r	—	4	20	μs	
Fall time	t _f	—	5	20	μs	

Protection Function

(V_{CC} = 12 V, T_{ch} = 25°C, unless otherwise specified)

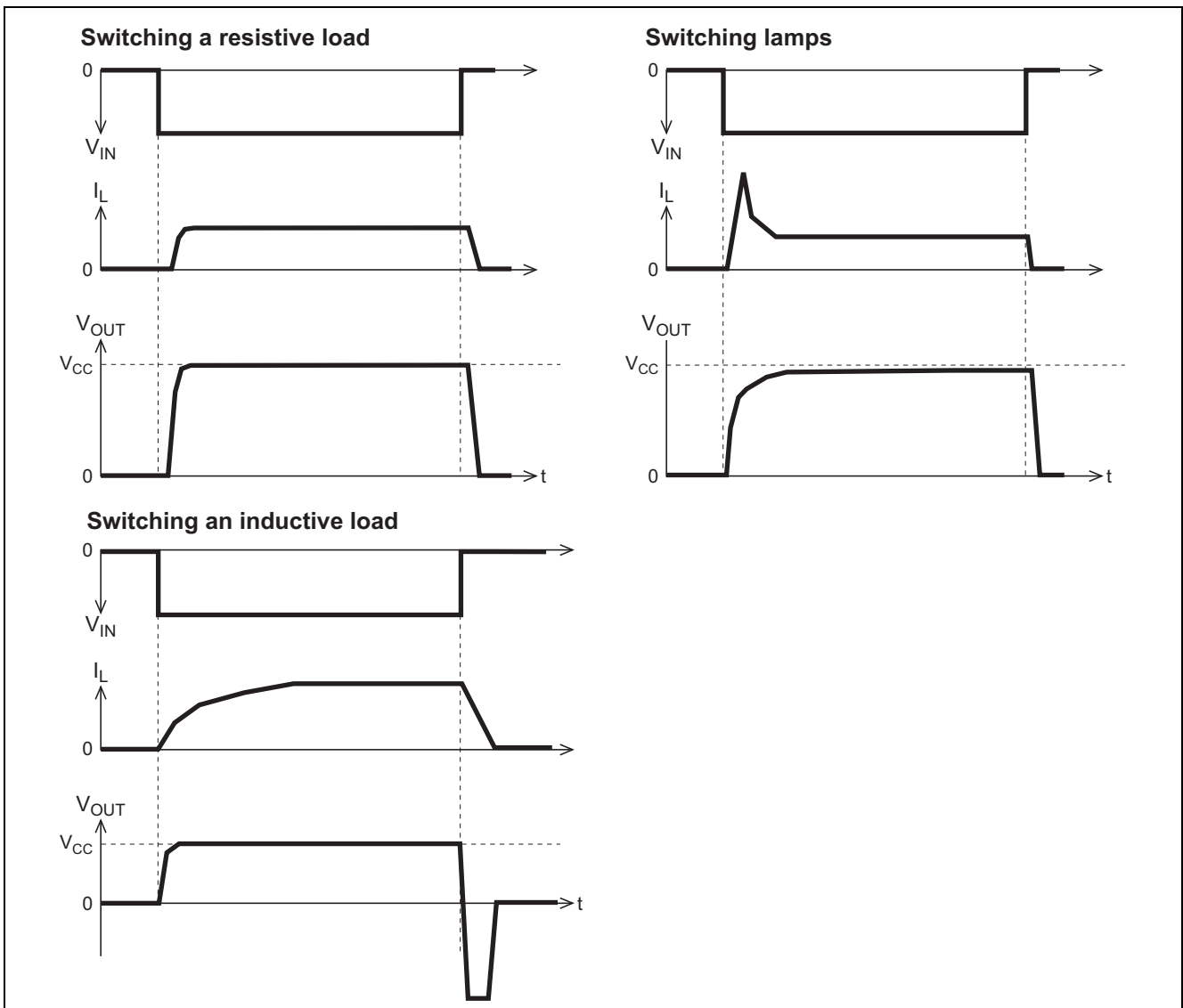
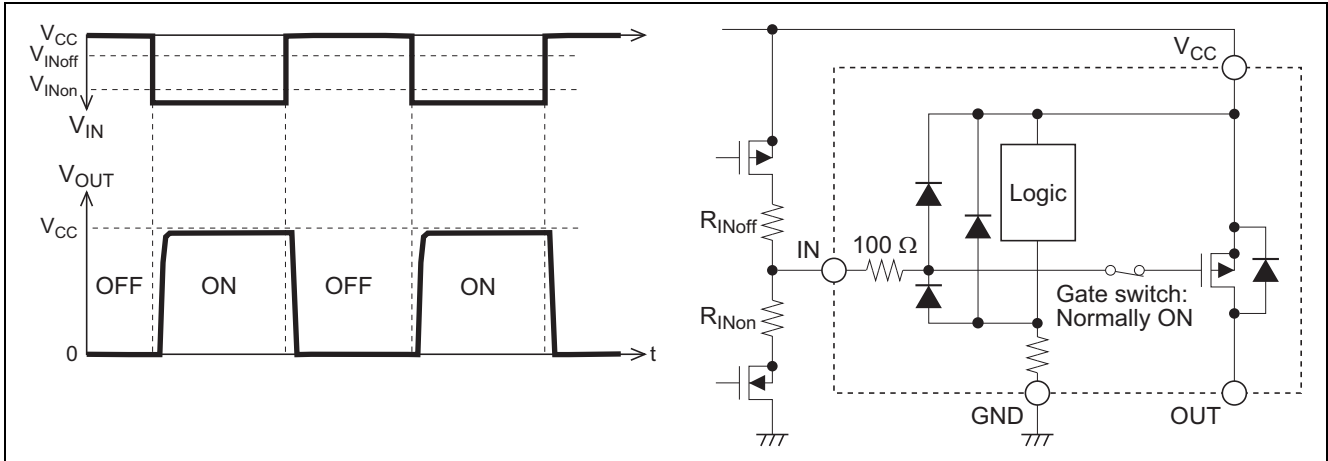
Item	Symbol	MIN.	TYP.	MAX.	Unit	Test Conditions
Short circuit detection current	I _{L7,3(SC)} *1	—	96	135	A	T _{ch} = -40°C
		33	67	—		T _{ch} = -25°C
		19	50	—		T _{ch} = 150°C
	I _{L9,3(SC)} *1	—	105	145		T _{ch} = -40°C
		42	96	—		T _{ch} = -25°C
		30	73	—		T _{ch} = 150°C
	I _{L12,3(SC)} *1	—	143	190		T _{ch} = -40°C
		56	130	—		T _{ch} = -25°C
		42	105	—		T _{ch} = 150°C
	I _{L16,3(SC)}	—	144	190		T _{ch} = -40°C
		75	131	—		T _{ch} = -25°C
		60	107	—		T _{ch} = 150°C
Thermal shutdown temperature	T _{th}	150	175	200	°C	
Thermal hysteresis	ΔT _{th}	—	14	—	°C	Resume temp: over 130°C
Under voltage shutdown	V _{CIN(UV)}	3.7	4.8	5.7	V	
Under voltage restart	V _{CIN(ST)}	—	5.0	6.0	V	
Output current in fault condition	I _{OL}	180	300	—		V _{IN} = 7 V, V _{CC} = 7 V, T _{ch} = -40 to 150°C

Note: *1 Not subject to production test, specified by design.

Function Description

Driver Circuit (On-Off Control)

The high-side output, Pch MOSFET is turned on, if the IN input voltage is higher than V_{INon} . The high-side output, Pch MOSFET is turned off, if the IN input voltage is below V_{INoff} . Switching characteristics is adjustable by external resistor to IN pin.

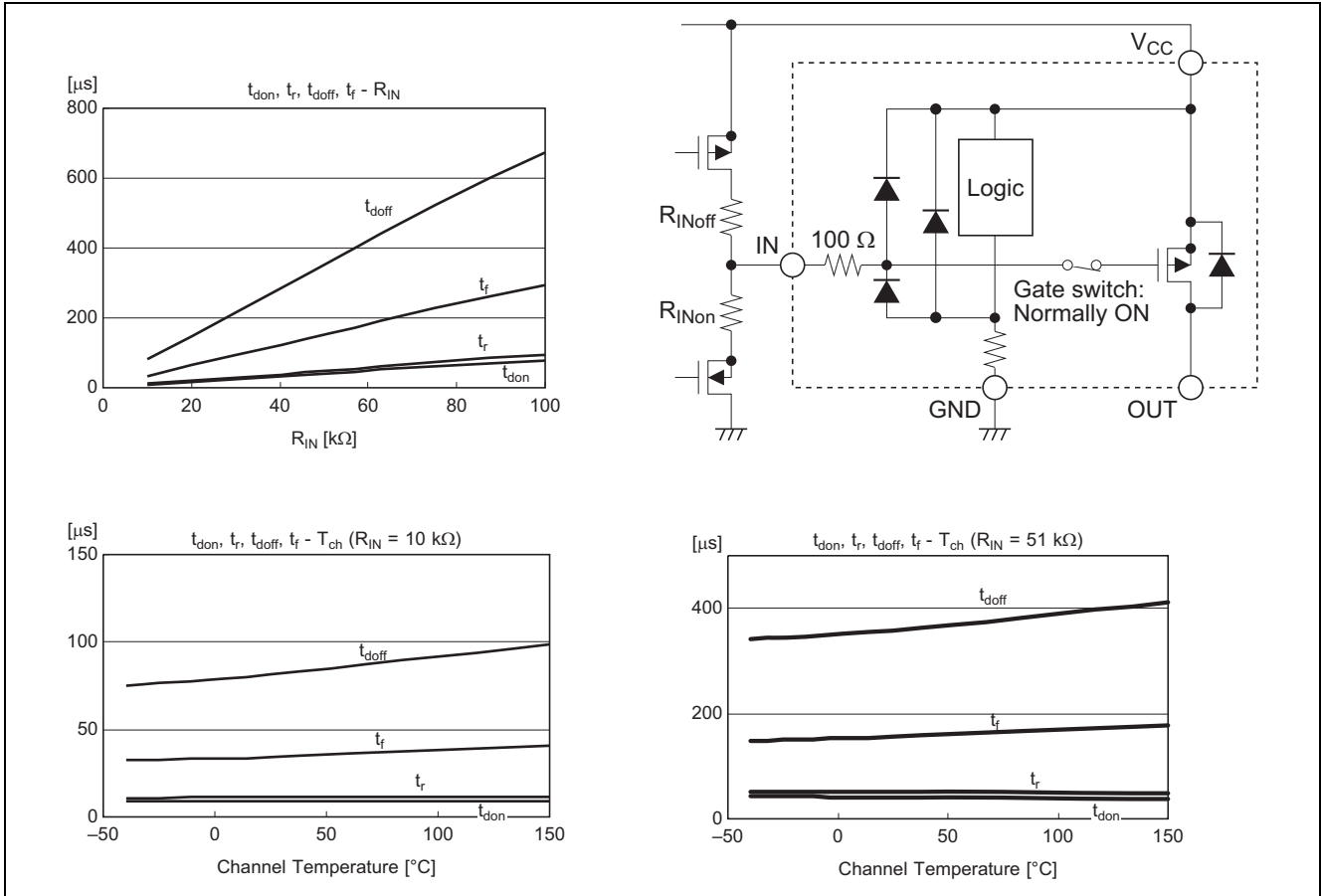


Avalanche Operation at Inductive Load Switch Off

The output MOS, Pch MOSFET is in avalanche when the inductive load is switched off. When the over-voltage is applied to V_{CC} , the output MOS, Pch MOSFET also works in avalanche operation.

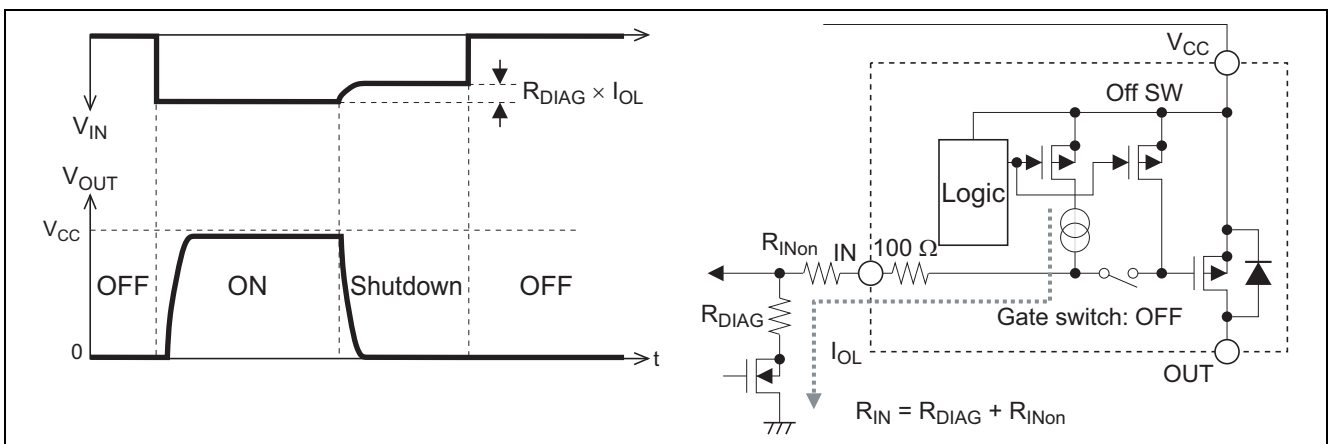
Adjustable Switching Characteristics by External Resistor

Switching characteristics is adjustable by the value of input resistance as following.



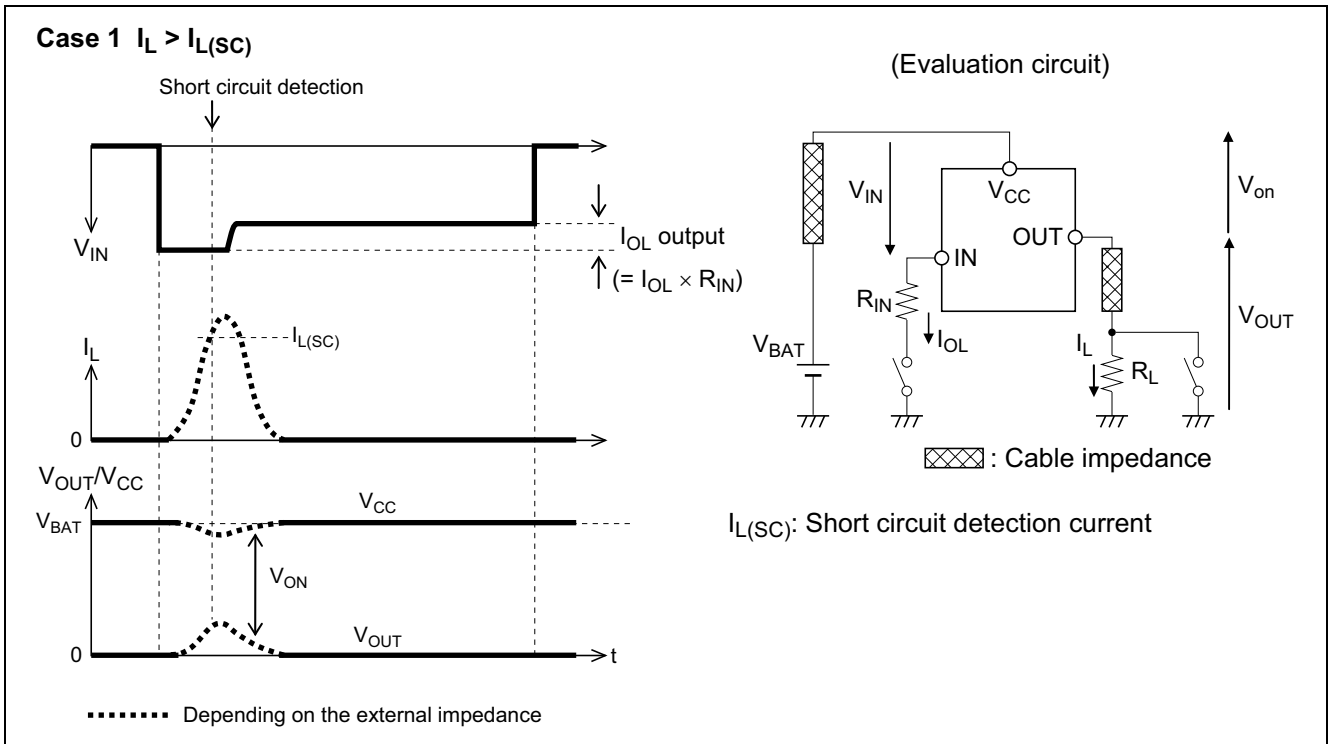
Diagnosis Output via IN Pin

The I_{OL} current starts flowing via IN pin, if the shut down occurred by the protection of short circuit or over temperature. In this condition, internal gate switch is turned-off and the I_{OL} current switch is turned-on. This diagnosis signals is detectable by external circuit, resistor and comparator.

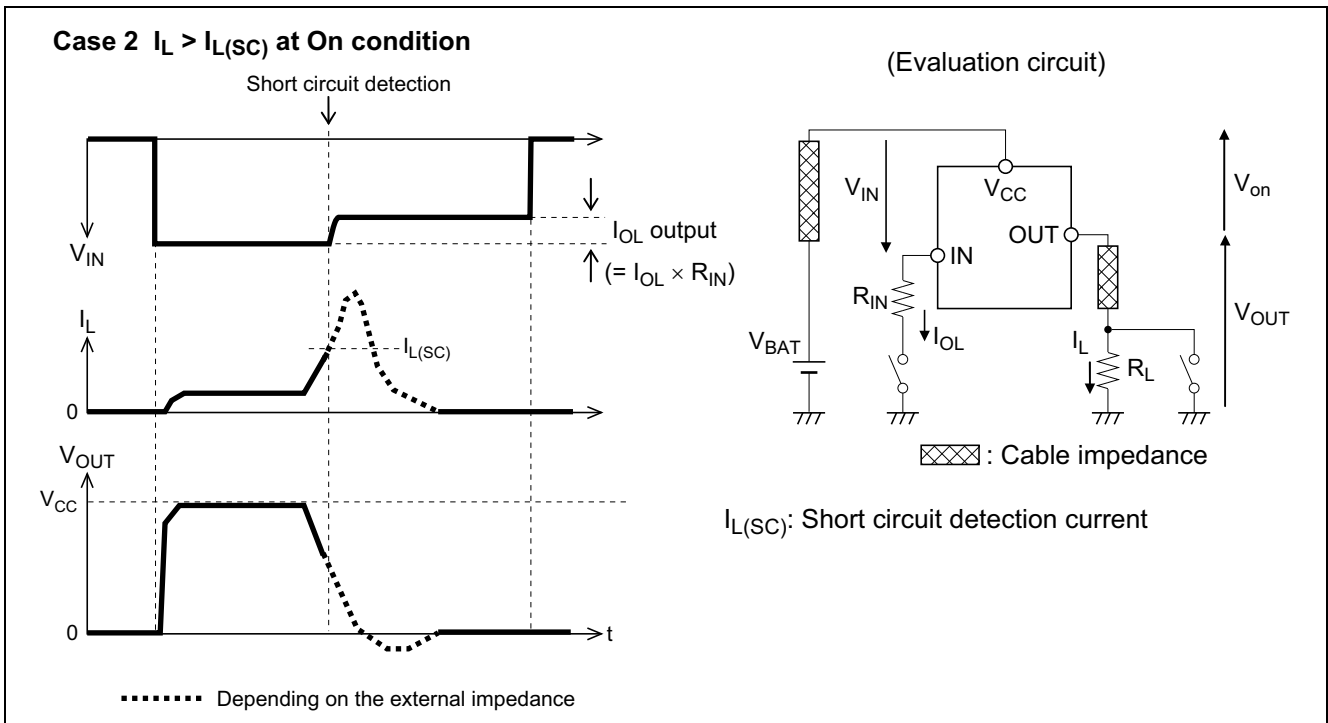


Short Circuit Protection

Case 1: Turn on in an overloaded condition, which includes a short circuit condition. The device shut down automatically when $I_L > I_{L(SC)}$ condition is detected. Then the V_{IN} value is increased by the output of I_{OL} current. Shutdown is latched until the next reset via IN input.

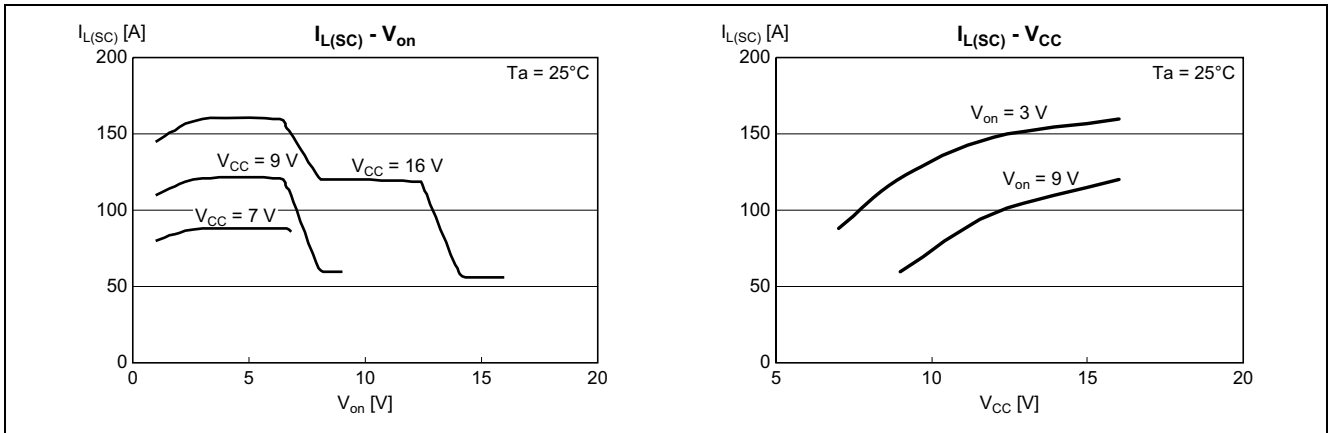


Case 2: Short circuit during On-condition. The device shut down automatically when $I_L > I_{L(SC)}$ condition is detected. Then the V_{IN} value is increased by the output of I_{OL} current. Shutdown is latched until the next reset via IN input.



Typical Short Circuit Detection Current Characteristics

The short circuit detection current changes according to V_{CC} voltage and V_{on} voltage for the purpose of to be strength of the robustness under short circuit condition.

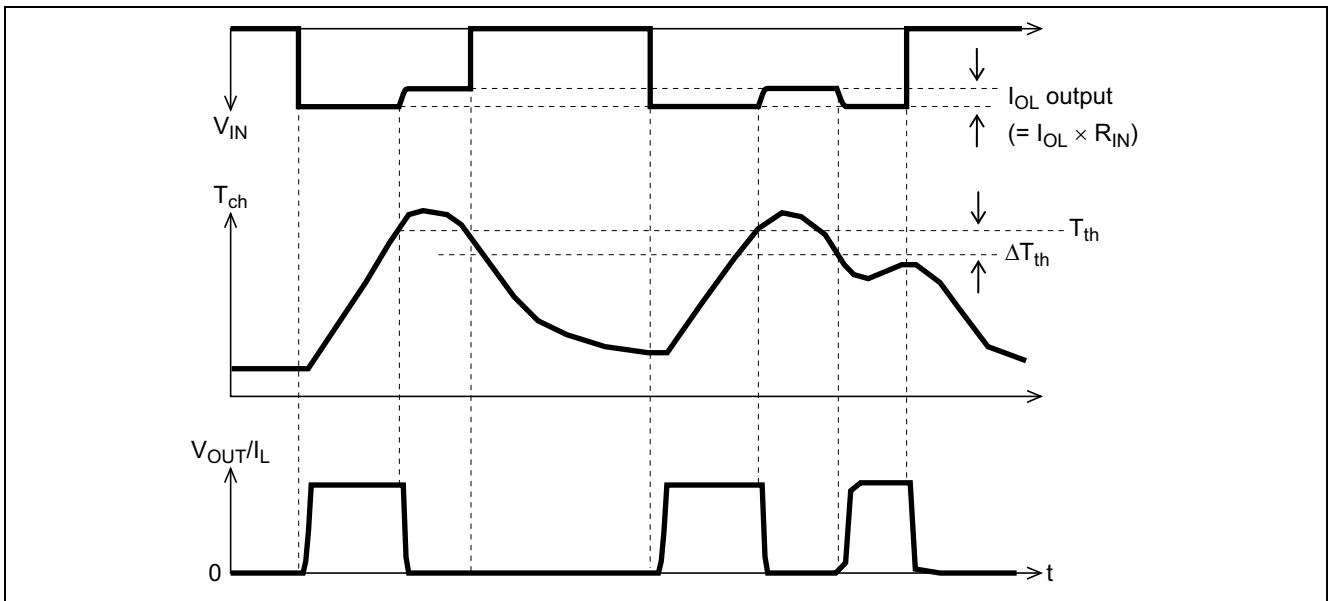


Driving Capability

The μPD166019 can drive above 215 mΩ, equivalent with 65 W bulb as load resistibility include load itself, wire harness, contact resistance of connector, wiring resistibility of PCB at $V_{CC} = 9$ to 16 V, $T_{ch} = 25^\circ C$ condition.

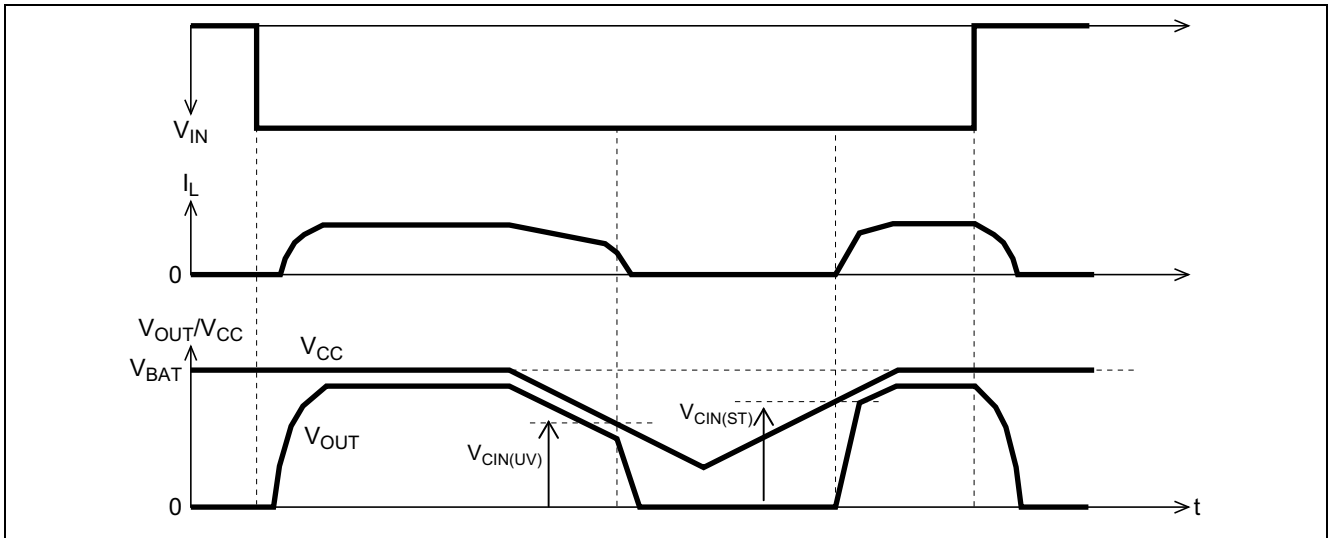
Over-Temperature Protection

The output is switched off if over-temperature is detected. The device switches on again after it cools down.



Device Behavior at Low Voltage Condition

If the supply voltage, V_{CC} goes down under $V_{CIN(UV)}$, The device shuts down the output. If the supply voltage, V_{CC} increase over $V_{CIN(ST)}$, the device turns on the output automatically. The device keeps off-state if supply voltage, V_{CC} does not increase over $V_{CIN(ST)}$ after under voltage shutdown.



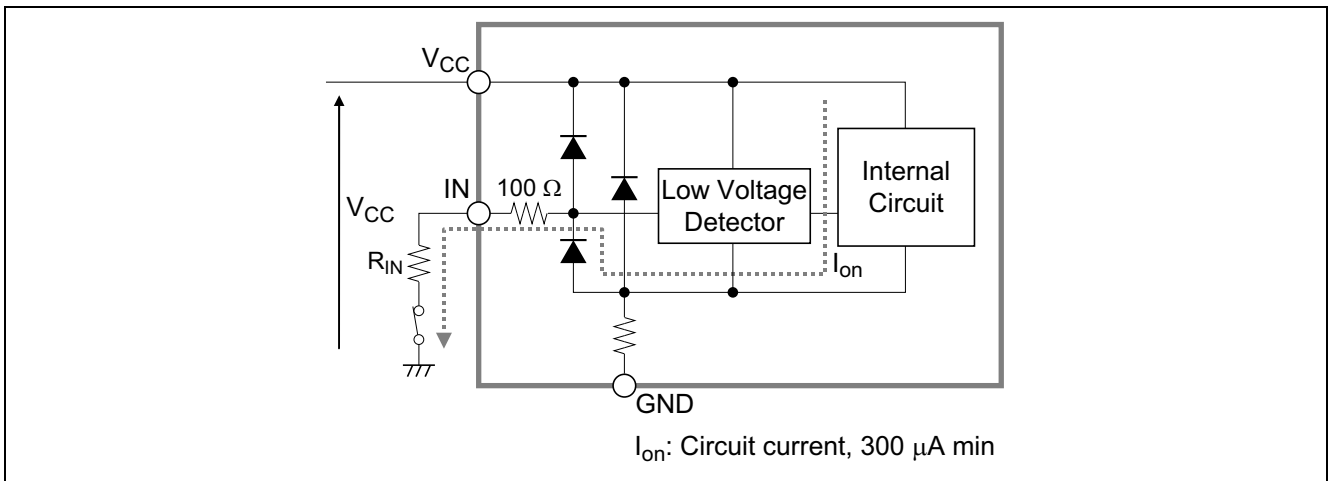
Loss of Ground Protection

In case of complete loss of the device ground connection, but connected load ground, the device securely changes to off-state by low voltage detector. In loss of ground condition voltage of internal circuit is as below. Thus R_{IN} should be bigger than 40 kΩ to activate this function.

$$\text{Internal circuit voltage} = V_{CC} - I_{on} \times (R_{IN} + 100 \Omega) - V_f$$

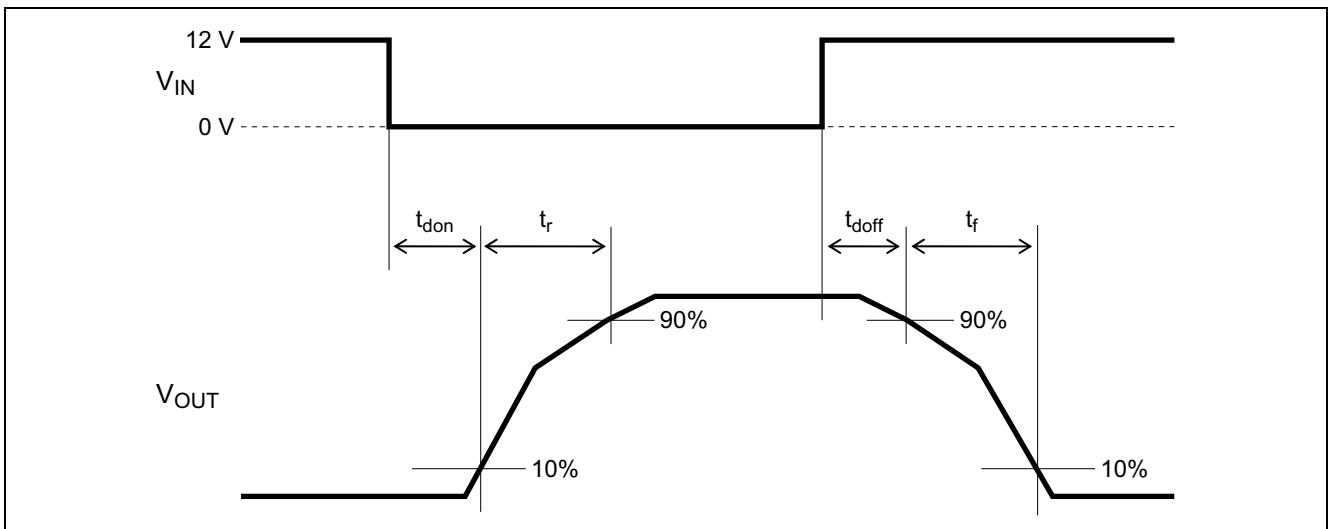
Low voltage detection voltage: $V_{CIN(UV)}$

Even though there is possibility to keep on state if R_{IN} is lower than 40 kΩ, output MOSFET is secured in full on state by circuit design.



Measurement Condition

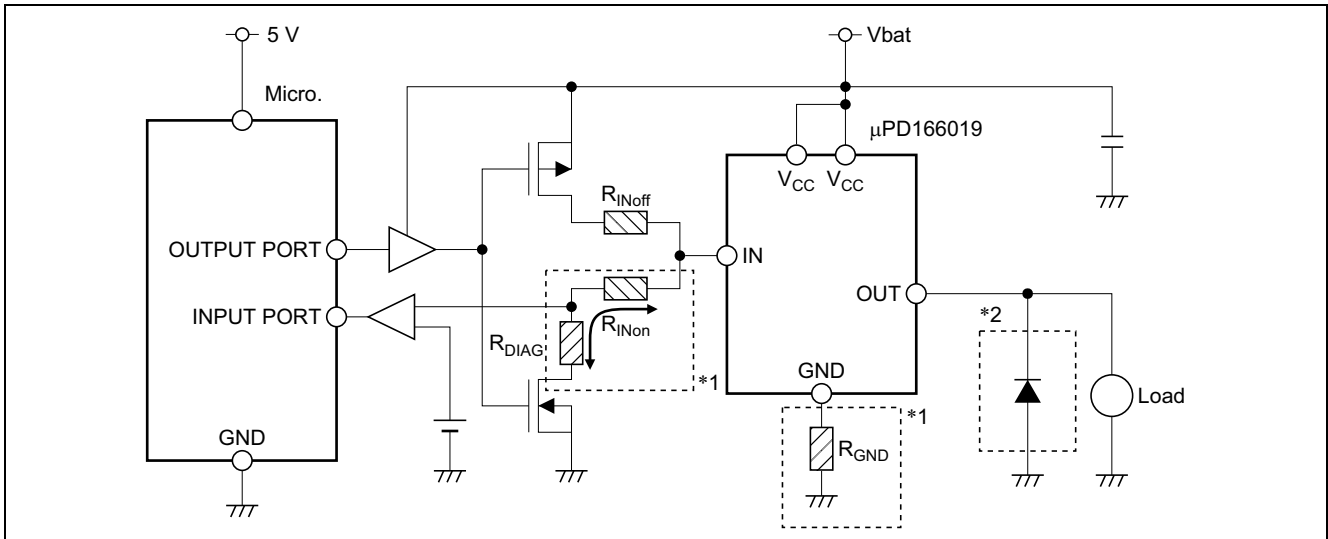
Switching waveform of OUT pin



Truth Table

Input Voltage	State	Output	Output Current in Fault Condition
$V_{IN} \leq V_{INoff}$	OFF state	OFF	—
$V_{IN} \geq V_{INon}$	Normal operation	ON	—
	Over-temperature	OFF (Shut down), restart by $T_{ch} < T_{th} - \Delta T_{th}$	I_{oL}
	Short circuit	OFF (Shut down)	I_{oL}

Application Example in Principle

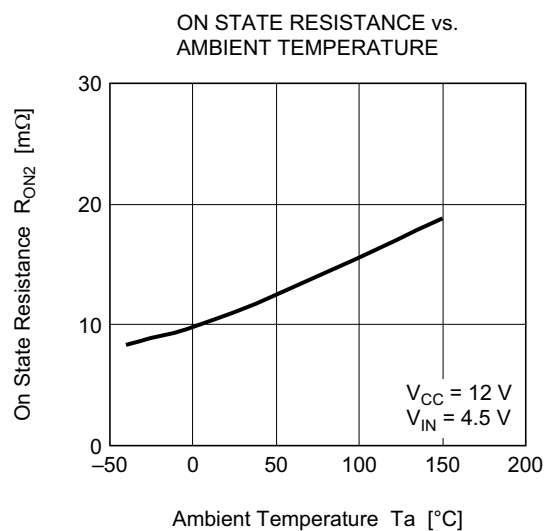
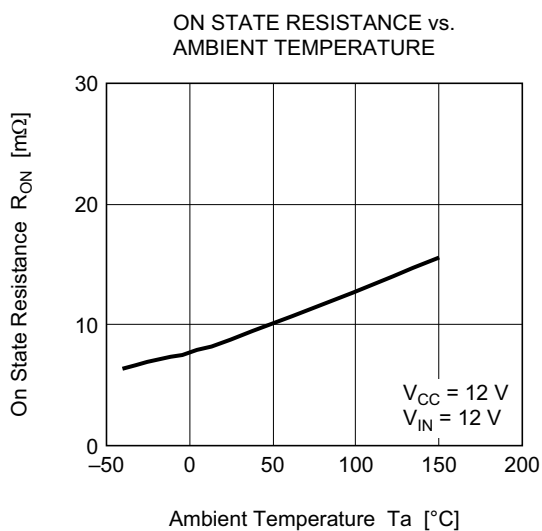
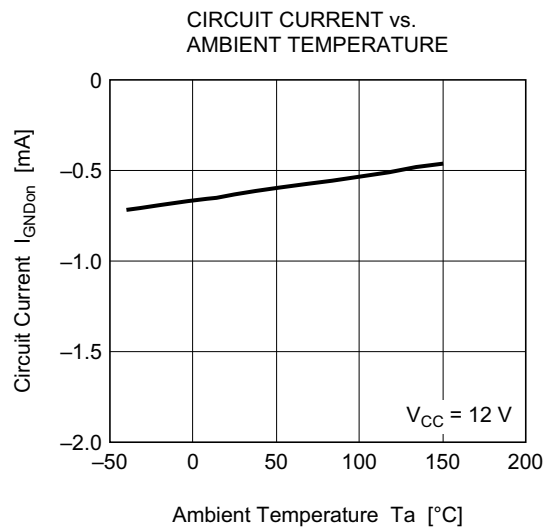
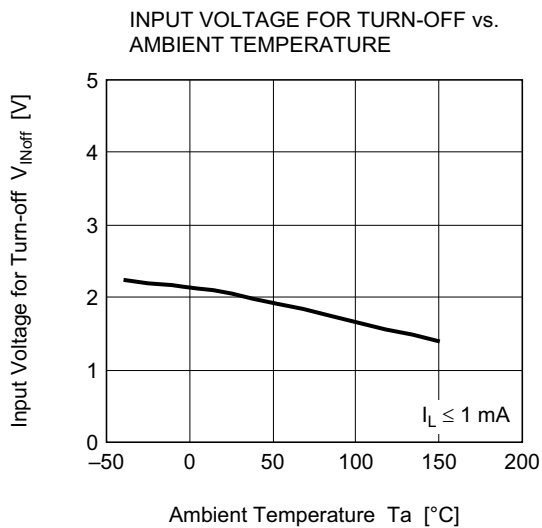
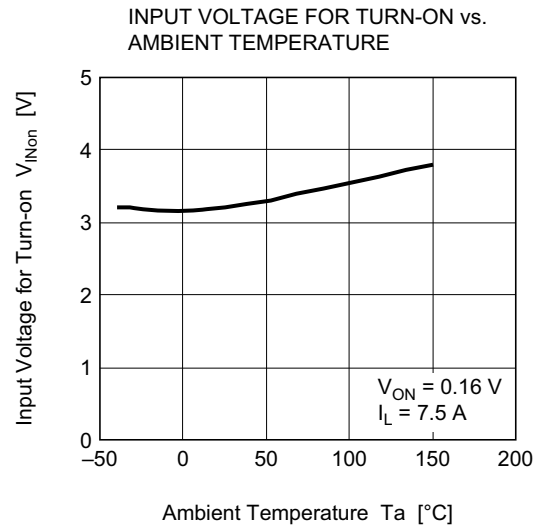
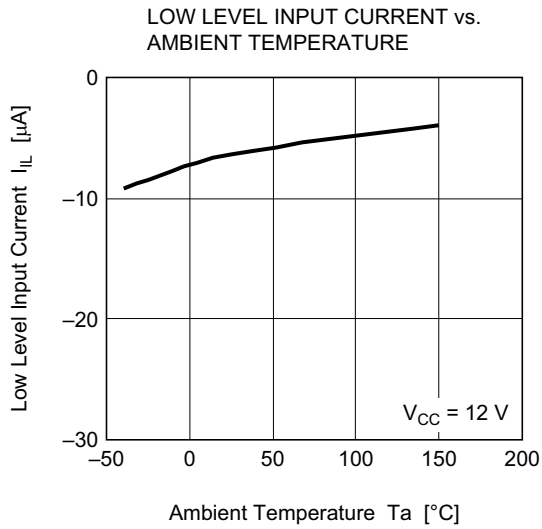


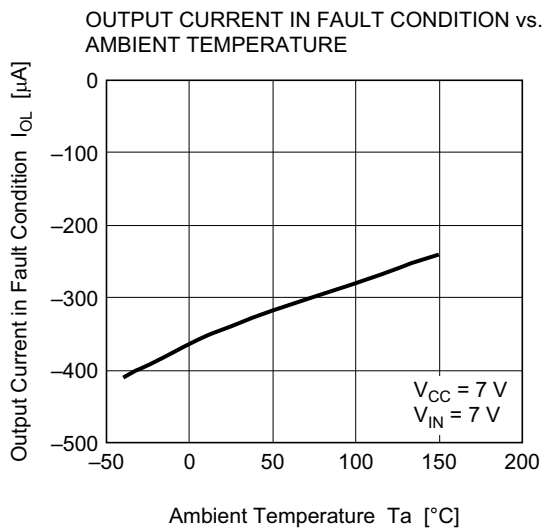
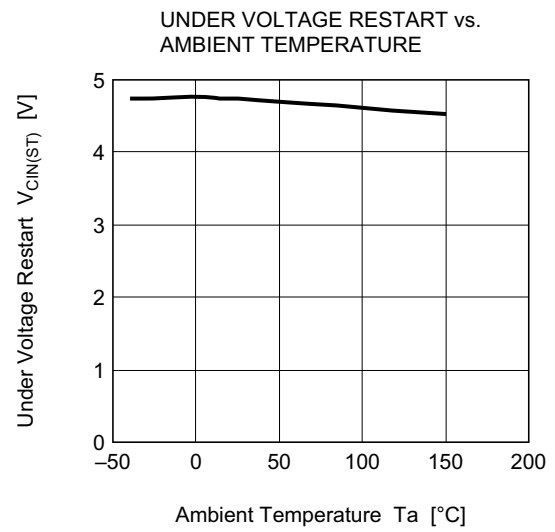
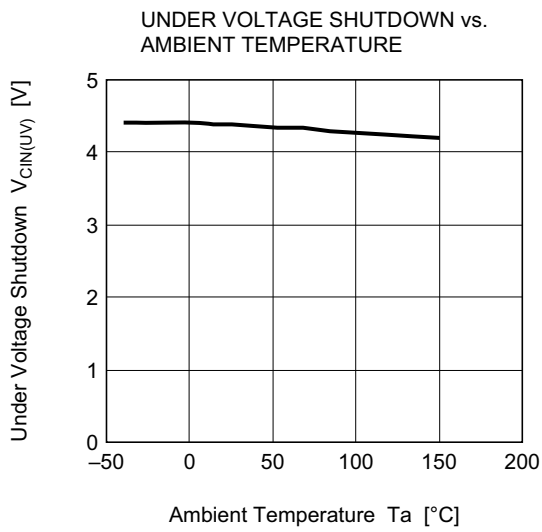
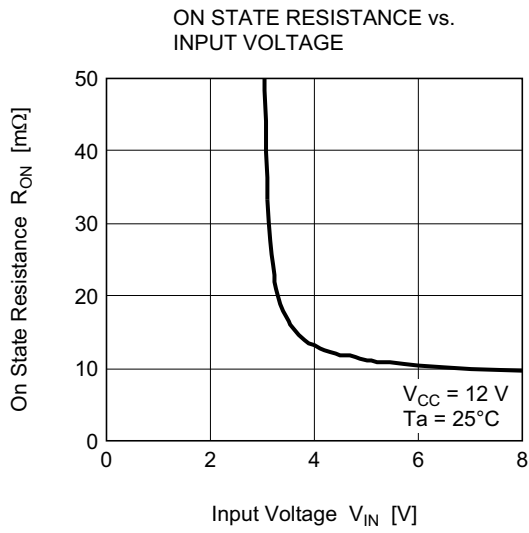
Notes: *1 In case of necessity to eliminate the destruction by the soldering bridge to Vcc: Pin#5, insert a resistor R_{GND} (recommended 1 kΩ max) between GND pin and system ground. In this condition current flows out to IN pin. R_{INon} is recommended 2 kΩ min.

$$\text{GND to IN current} = (R_{GND} \times 1 \text{ mA} - 0.6 \text{ V}) / R_{INon}$$

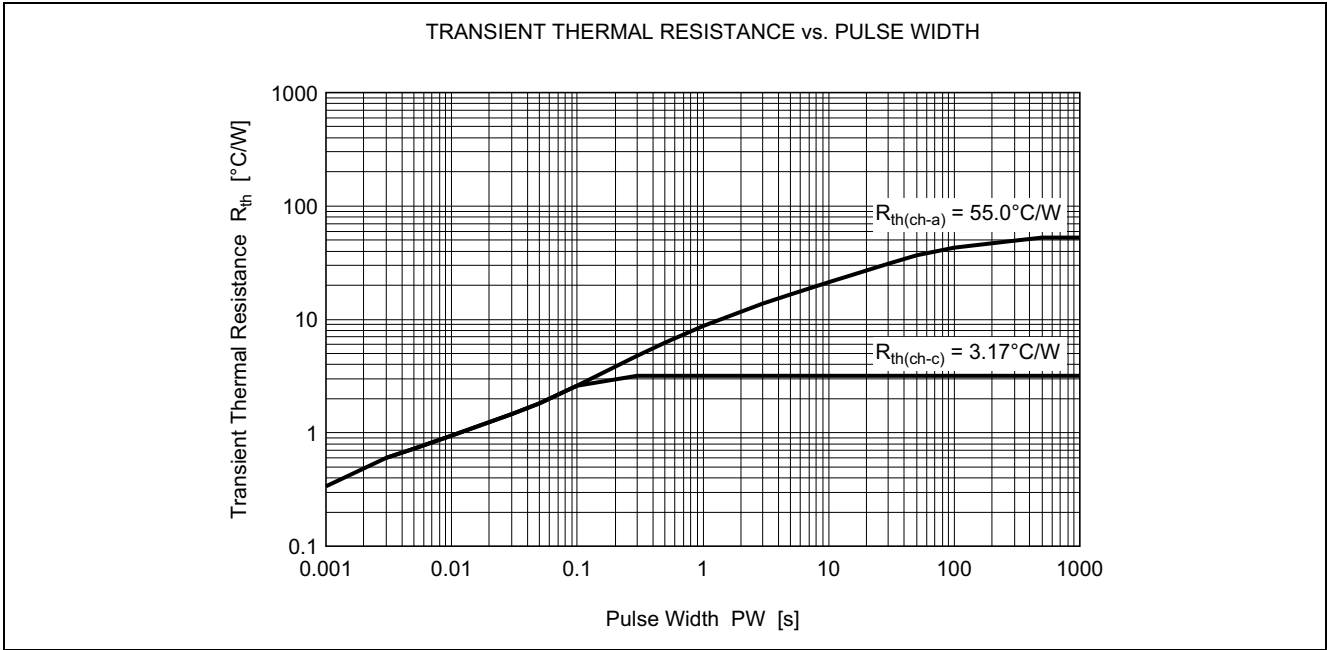
*2 If the load is inductive, it is recommended to connect a free-wheel diode between OUT pin and ground.

Typical Characteristics

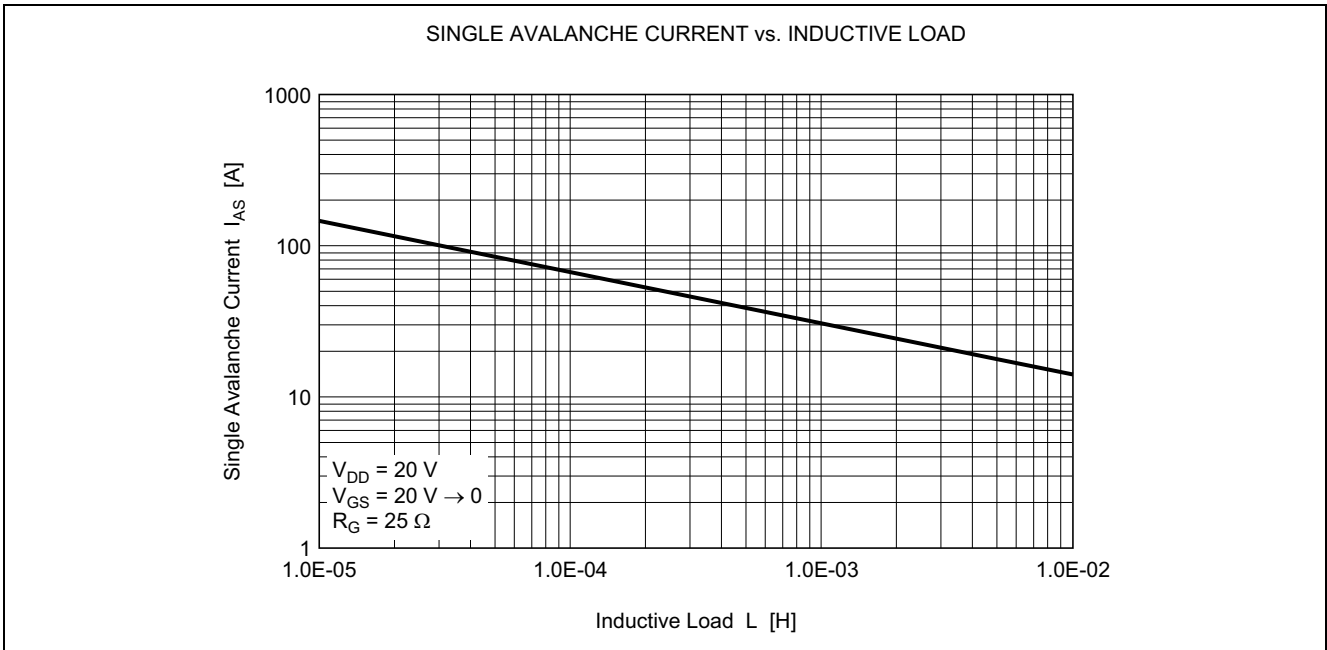




Thermal Characteristics

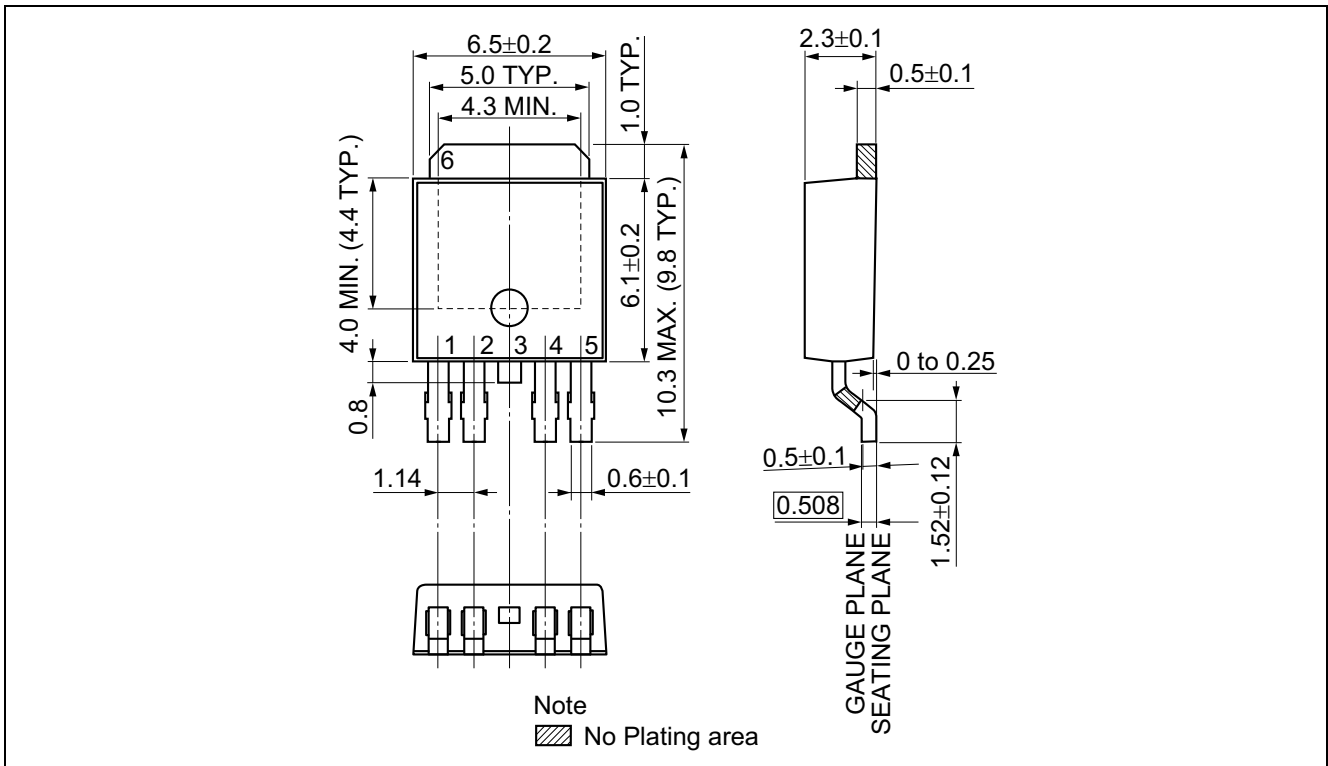


Single Avalanche Current vs. Inductive Load



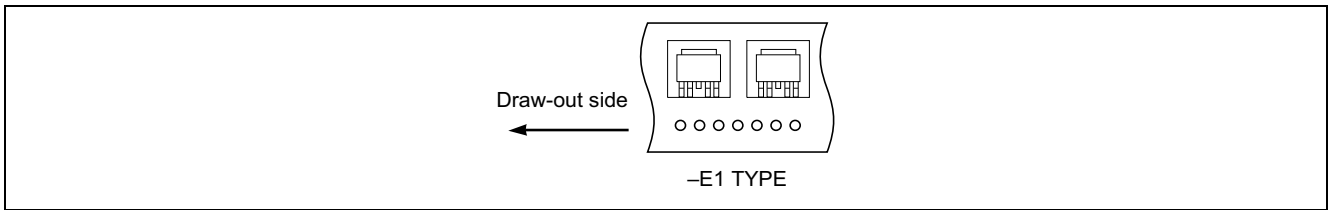
Package Dimensions (Unit: mm)

5-pin TO-252 (MP-3ZK)



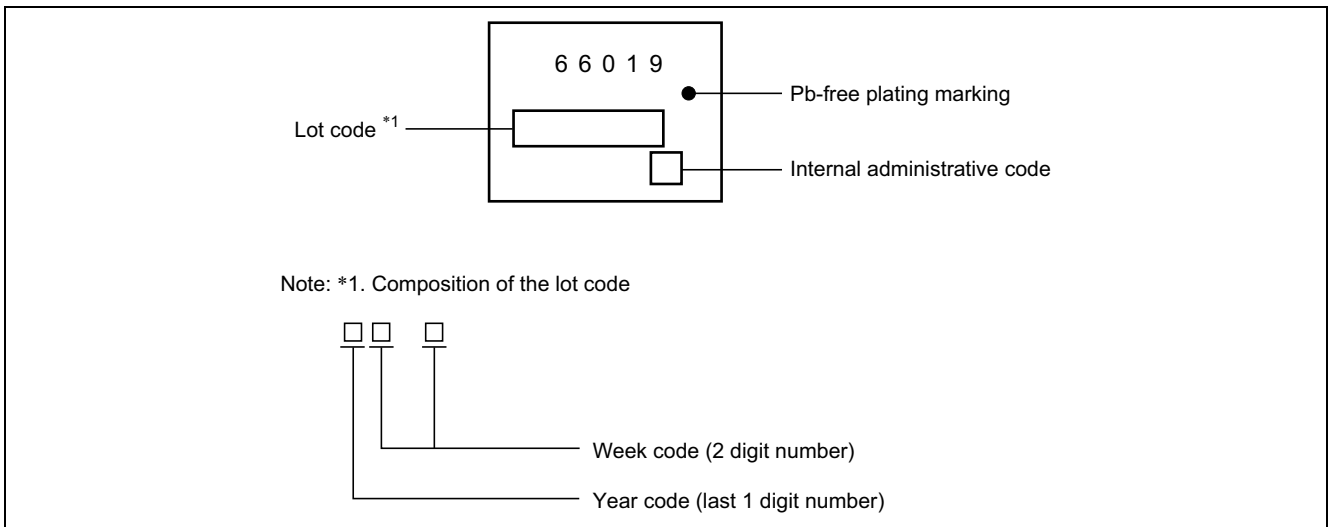
Taping Information

This is one type (E1) of direction of the device in the carrier tape.



Marking Information

This figure indicates the marking items and arrangement. However, details of the letterform, the size and the position aren't indicated.



Revision History	μPD166019T1F Data Sheet
-------------------------	--------------------------------

Rev.	Date	Description	
		Page	Summary
1.00	Apr 25, 2012	—	First Edition Issued

All trademarks and registered trademarks are the property of their respective owners.

Notice

- All information included in this document is current as of the date this document is issued. Such information, however, is subject to change without any prior notice. Before purchasing or using any Renesas Electronics products listed herein, please confirm the latest product information with a Renesas Electronics sales office. Also, please pay regular and careful attention to additional and different information to be disclosed by Renesas Electronics such as that disclosed through our website.
- Renesas Electronics does not assume any liability for infringement of patents, copyrights, or other intellectual property rights of third parties by or arising from the use of Renesas Electronics products or technical information described in this document. No license, express, implied or otherwise, is granted hereby under any patents, copyrights or other intellectual property rights of Renesas Electronics or others.
- You should not alter, modify, copy, or otherwise misappropriate any Renesas Electronics product, whether in whole or in part.
- Descriptions of circuits, software and other related information in this document are provided only to illustrate the operation of semiconductor products and application examples. You are fully responsible for the incorporation of these circuits, software, and information in the design of your equipment. Renesas Electronics assumes no responsibility for any losses incurred by you or third parties arising from the use of these circuits, software, or information.
- When exporting the products or technology described in this document, you should comply with the applicable export control laws and regulations and follow the procedures required by such laws and regulations. You should not use Renesas Electronics products or the technology described in this document for any purpose relating to military applications or use by the military, including but not limited to the development of weapons of mass destruction. Renesas Electronics products and technology may not be used for or incorporated into any products or systems whose manufacture, use, or sale is prohibited under any applicable domestic or foreign laws or regulations.
- Renesas Electronics has used reasonable care in preparing the information included in this document, but Renesas Electronics does not warrant that such information is error free. Renesas Electronics assumes no liability whatsoever for any damages incurred by you resulting from errors in or omissions from the information included herein.
- Renesas Electronics products are classified according to the following three quality grades: "Standard", "High Quality", and "Specific". The recommended applications for each Renesas Electronics product depends on the product's quality grade, as indicated below. You must check the quality grade of each Renesas Electronics product before using it in a particular application. You may not use any Renesas Electronics product for any application categorized as "Specific" without the prior written consent of Renesas Electronics. Further, you may not use any Renesas Electronics product for any application for which it is not intended without the prior written consent of Renesas Electronics. Renesas Electronics shall not be in any way liable for any damages or losses incurred by you or third parties arising from the use of any Renesas Electronics product for an application categorized as "Specific" or for which the product is not intended where you have failed to obtain the prior written consent of Renesas Electronics. The quality grade of each Renesas Electronics product is "Standard" unless otherwise expressly specified in a Renesas Electronics data sheets or data books, etc.
"Standard": Computers; office equipment; communications equipment; test and measurement equipment; audio and visual equipment; home electronic appliances; machine tools; personal electronic equipment; and industrial robots.
"High Quality": Transportation equipment (automobiles, trains, ships, etc.); traffic control systems; anti-disaster systems; anti-crime systems; safety equipment; and medical equipment not specifically designed for life support.
"Specific": Aircraft; aerospace equipment; submersible repeaters; nuclear reactor control systems; medical equipment or systems for life support (e.g. artificial life support devices or systems), surgical implantations, or healthcare intervention (e.g. excision, etc.), and any other applications or purposes that pose a direct threat to human life.
- You should use the Renesas Electronics products described in this document within the range specified by Renesas Electronics, especially with respect to the maximum rating, operating supply voltage range, movement power voltage range, heat radiation characteristics, installation and other product characteristics. Renesas Electronics shall have no liability for malfunctions or damages arising out of the use of Renesas Electronics products beyond such specified ranges.
- Although Renesas Electronics endeavors to improve the quality and reliability of its products, semiconductor products have specific characteristics such as the occurrence of failure at a certain rate and malfunctions under certain use conditions. Further, Renesas Electronics products are not subject to radiation resistance design. Please be sure to implement safety measures to guard them against the possibility of physical injury, and injury or damage caused by fire in the event of the failure of a Renesas Electronics product, such as safety design for hardware and software including but not limited to redundancy, fire control and malfunction prevention, appropriate treatment for aging degradation or any other appropriate measures. Because the evaluation of microcomputer software alone is very difficult, please evaluate the safety of the final products or system manufactured by you.
- Please contact a Renesas Electronics sales office for details as to environmental matters such as the environmental compatibility of each Renesas Electronics product. Please use Renesas Electronics products in compliance with all applicable laws and regulations that regulate the inclusion or use of controlled substances, including without limitation, the EU RoHS Directive. Renesas Electronics assumes no liability for damages or losses occurring as a result of your noncompliance with applicable laws and regulations.
- This document may not be reproduced or duplicated, in any form, in whole or in part, without prior written consent of Renesas Electronics.
- Please contact a Renesas Electronics sales office if you have any questions regarding the information contained in this document or Renesas Electronics products, or if you have any other inquiries.
(Note 1) "Renesas Electronics" as used in this document means Renesas Electronics Corporation and also includes its majority-owned subsidiaries.
(Note 2) "Renesas Electronics product(s)" means any product developed or manufactured by or for Renesas Electronics.



SALES OFFICES

Renesas Electronics Corporation

<http://www.renesas.com>

Refer to "<http://www.renesas.com/>" for the latest and detailed information.

Renesas Electronics America Inc.
2880 Scott Boulevard Santa Clara, CA 95050-2554, U.S.A.
Tel: +1-408-586-6000, Fax: +1-408-586-6130

Renesas Electronics Canada Limited
1101 Nicholson Road, Newmarket, Ontario L3Y 9C3, Canada
Tel: +1-905-898-5441, Fax: +1-905-898-3220

Renesas Electronics Europe Limited
Dukes Meadow, Millboard Road, Bourne End, Buckinghamshire, SL8 5FH, U.K
Tel: +44-1628-585-100, Fax: +44-1628-585-900

Renesas Electronics Europe GmbH
Arcadiastrasse 10, 40472 Düsseldorf, Germany
Tel: +49-211-65030, Fax: +49-211-6503-1327

Renesas Electronics (China) Co., Ltd.
7th Floor, Quantum Plaza, No.27 ZhiChunLu Haidian District, Beijing 100083, P.R.China
Tel: +86-10-8235-1155, Fax: +86-10-8235-7679

Renesas Electronics (Shanghai) Co., Ltd.
Unit 204, 205, AZIA Center, No.1233 Lujiazui Ring Rd., Pudong District, Shanghai 200120, China
Tel: +86-21-5877-1818, Fax: +86-21-6887-7858 / -7898

Renesas Electronics Hong Kong Limited
Unit 1601-1613, 16/F., Tower 2, Grand Century Place, 193 Prince Edward Road West, Mongkok, Kowloon, Hong Kong
Tel: +852-2886-9318, Fax: +852 2886-9022/9044

Renesas Electronics Taiwan Co., Ltd.
13F, No. 363, Fu Shing North Road, Taipei, Taiwan
Tel: +886-2-8175-9600, Fax: +886 2-8175-9670

Renesas Electronics Singapore Pte. Ltd.
1 HarbourFront Avenue, #06-10, Keppel Bay Tower, Singapore 098632
Tel: +65-6213-0200, Fax: +65-6276-8001

Renesas Electronics Malaysia Sdn.Bhd.
Unit 906, Block B, Menara Amcorp, Amcorp Trade Centre, No. 18, Jin Persiaran Barat, 46050 Petaling Jaya, Selangor Darul Ehsan, Malaysia
Tel: +60-3-7955-9390, Fax: +60-3-7955-9510

Renesas Electronics Korea Co., Ltd.
11F., Samik Lavied' or Bldg., 720-2 Yeoksam-Dong, Kangnam-Ku, Seoul 135-080, Korea
Tel: +82-2-558-3737, Fax: +82-2-558-5141